

MODEL #	OUTER RADIUS (D)	INNER RADIUS (E)	OVERALL FASCIA HEIGHT
RD4A-1-6	37 1/8"	35 3/8"	94 1/2"
RD4A-1-7	43 1/16"	41 5/16"	94 1/2"
RD4A-1-8	49"	47 1/4"	94 1/2"

NOTES:

INSTALLATION REQUIREMENTS:

ASSA ABLOY REQUIRES THE FLOOR FLAT TO WITHIN 1/4" TOTAL VARIATION WITHIN THE FOOTPRINT OF THE DOOR SYSTEM. ASSA ABLOY 'RD' SERIES DOORS ARE DESIGNED TO MOUNT ON A FINISHED FLOOR SURFACE, THE FLOOR AREA SHOULD BE CAPABLE OF SUPPORTING WEIGHT LOADS OF 600 lbs AT THE CENTER OF THE DOOR (CENTER SHAFT CONNECTION), AND 1000 lbs LOAD EVENLY DISTRIBUTED ACROSS THE OUTSIDE DRUM WALLS.

ACTIVATION:

ACCESS CONTROL SYSTEMS (CARD READER, ETC.) TO SUPPLY SIGNAL TO THE REVOLVER CONTROL TO BEGIN ROTATION OF THE DOOR SYSTEM, BY OTHERS. ASSA ABLOY DOOR SYSTEM WILL SUPPLY OUTPUT SIGNAL TO ACCESS CONTROL SYSTEM THAT PASSAGE WAS COMPLETED. PASSAGE IN TWO DIRECTIONS CAN BE CONDUCTED SIMULTANEOUSLY.

ACCESS CONTROL FEATURES:

1-WAY SECURITY DETECTION BY OVERHEAD SECURE360 ANTI-TAILGATING AND ANTI-PIGGYBACK SYSTEM. PASSAGE BY UNAUTHORIZED PERSONAL WILL CAUSE THE DOOR TO STOP ROTATING, VOICE ACTIVATION WILL ANNOUNCE "SECURITY VIOLATION - DOORS WILL REVERSE", THE DOOR WILL THEN REVERSE DIRECTION TO ALLOW UN-AUTHORIZED PERSON TO EXIT THE DOOR. DOOR SYSTEM WILL THEN RESUME OPERATION TO ALLOW AUTHORIZED PERSON TO COMPLETE PASSAGE.

SAFETY FEATURES:

AN OBSTRUCTION FORCE CAUSING ROTATION TO SLOW OR STOP WILL ACTIVATE THE CURRENT SENSING DOOR WING SAFETY CIRCUIT. THIS CIRCUIT WILL STOP THE ROTATION ACTION THEN RESUME OPERATION, IF THE CAUSE OF THE STOP OR SLOW DOWN REMAINS THIS PAUSE AND RESUME ACTION WILL REPEAT TWO ADDITIONAL TIMES. IF THE CAUSE HAS STILL NOT BEEN CLEARED AT THIS POINT, THE DOOR SYSTEM WILL SHUT DOWN TILL A SUPERVISORY START UP SEQUENCE IS COMPLETED. DRUM WALL MOUNTED COMPRESSIBLE SAFETY SWITCHES WILL STOP ROTATION IF PRESSURE IS APPLIED AND WILL REVERSE THE DOOR TO THE "X" POSITION WHEN AN OBJECT IS LODGED BETWEEN THE DRUM WALL AND A DOOR WING. EMERGENCY STOP BUTTON, WHEN ACTIVATED, WILL STOP ROTATION OF THE DOOR UNTIL A SUPERVISED RESET IS CONDUCTED.

STANDARD FEATURES:

MICROPROCESSOR CONTROL SYSTEM WITH SELF-MONITORING CHECK CIRCUITS, POSITIVE SPEED CONTROL FOR PROPER DOOR SPEED OPERATION. PCD PROGRAMMED CONTROL DEVICE WITH OPERATOR KEYPAD TO CONTROL THE DOOR OPERATION, DISPLAY OPERATIONAL AND ERROR CODES FOR VISUAL DIAGNOSTICS OF THE DOOR SYSTEM. DOORS ARE EQUIPPED WITH 6 RECESSED LOW VOLTAGE LED LIGHTS PER DOOR. OUTSIDE DRUM WALL GLASS TO BE 7/8" LAMINATED CURVED GLASS. ROTATING DOOR GLASS TO BE 1/2" LAMINATED CLEAR GLASS. INTERIOR CEILING TO BE WOOD SUBSTRATE WITH WHITE LAMINATE SURFACE. DUST PROTECTION ROOF.

TECHNICAL DATA:

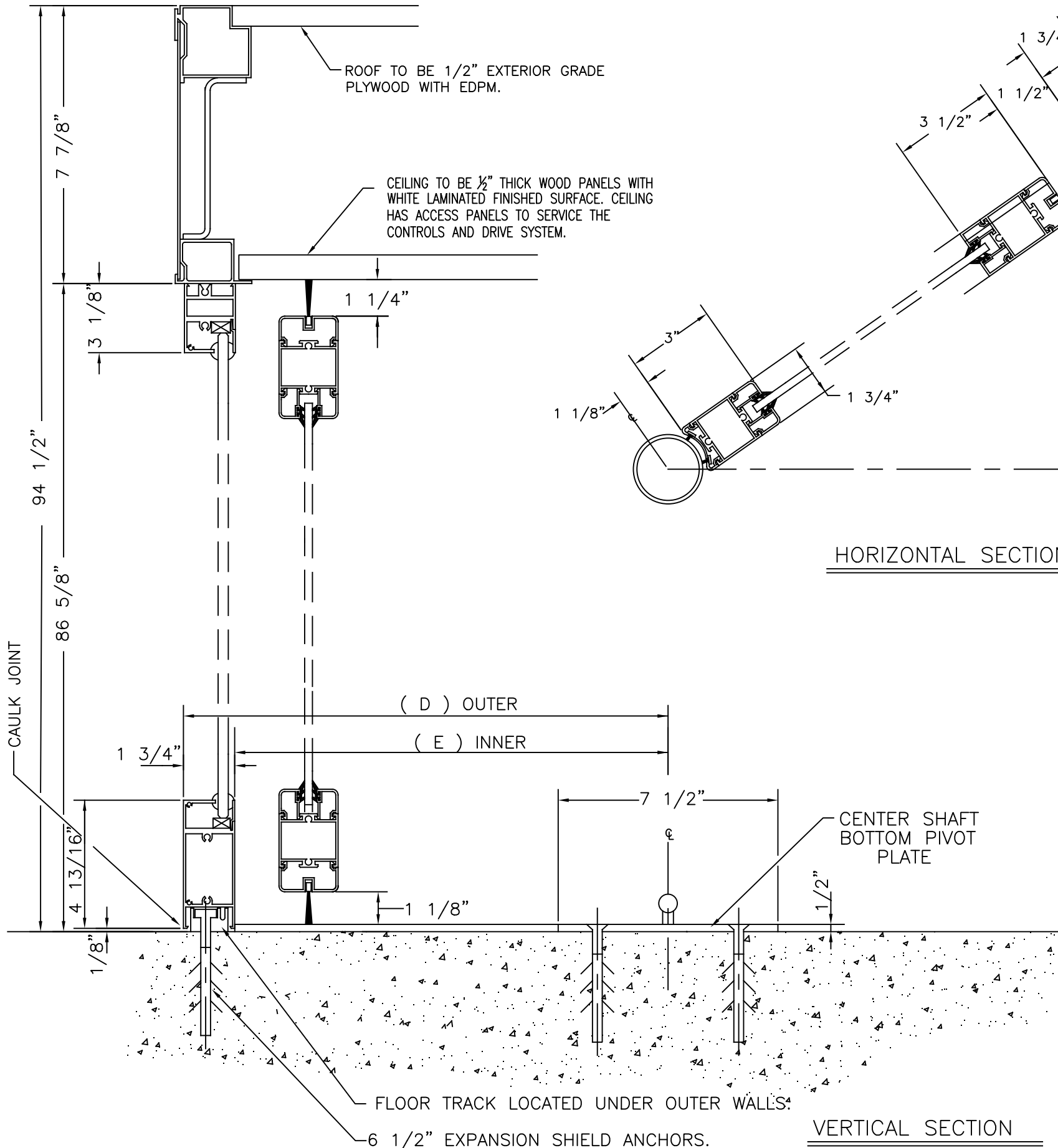
POWER REQUIRED, (1) 208VAC TO 240VAC, 20 AMP DEDICATED CIRCUIT. NORMAL SPEED ADJUSTMENT, INDEPENDENTLY ADJUSTABLE FROM 1 TO 5 R.P.M.

FINISHES: (SPECIFY):

- ___ CLEAR ANODIZED.
- ___ DARK BRONZE ANODIZED
- ___ POWDER COAT PAINTED _____
- ___ KYNAR PAINT # _____
- ___ STAINLESS STEEL CLAD
- ___ #8 MIRROR FINISH
- ___ #4 SATIN FINISH
- ___ OTHER CLAD _____

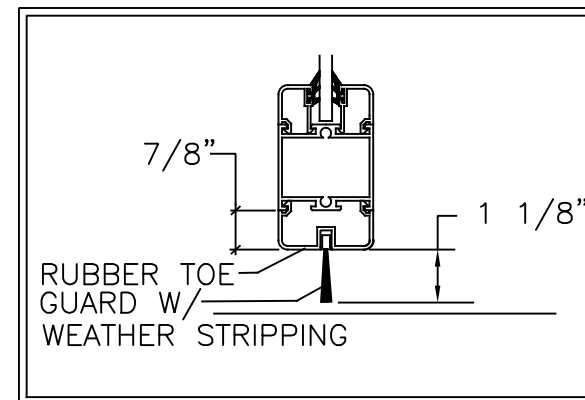
OPTIONAL FEATURE:

EMERGENCY BREAKAWAY SYSTEM FOR ROTATING DOORS CAN BE INTEGRATED WITH THE FIRE ALARM SYSTEM.



HORIZONTAL SECTION

VERTICAL SECTION



RDA OPTIONS:

- [] = 1 HOUR UPS.
- [] = CARD READER MOUNT.
- [] = HINGED COVER EMERGENCY STOP BUTTON.
- [] = SPECIAL GLASS.
- [] = MIDRAILS.
- [] = 6 WATT LED LIGHTING.

* PLEASE CONTACT FACTORY *

DWG NO. 1018262-RD4A-2	SHEET 2 OF 2
DRN BY D.D.D. DATE 5/12/99	CHK BY DATE REV. 1.0 DATE 5/3/18

ASSA ABLOY RD4A-1 1 WAY ACCESS CONTROL
REVOLVING DOOR SYSTEM W/SECURE360
ANTI-TAILGATE & ANTI-PIGGYBACK - SECT. VIEW