

NOTES:

MODEL: UNITURN -2-16'
GENERAL CONTRACTOR IS TO ENSURE THAT THE FLOOR IS CONSTRUCTED LEVEL AND FLAT TO WITHIN 1/4" THROUGHOUT THE REVOLVING DOOR AREA. THIS DOOR IS TO BE MOUNTED ON TOP OF THE FINISHED FLOOR SYSTEM, ADDITIONAL SHIMMING OF THE DOOR SYSTEM MAY BE NECESSARY IF THE FLOOR IS NOT LEVEL, OR IF THE DOOR SYSTEM IS TO BE BUILT ON A SUB FLOOR SYSTEM. THE OUTSIDE WALL PANELS ARE FIXED DIRECTLY TO THE FINISHED FLOOR. NO FLOOR FRAME OR RECESSES ARE REQUIRED FOR THIS DOOR WHEN ERRECTED ON A LEVEL FINISHED FLOOR. THE FLOOR CONSTRUCTION IS TO BE DESIGNED TO WITHSTAND THE FOLLOWING LOADS THROUGH THE OUTSIDE FIXED PANELS. THE DOOR SYSTEM WEIGHT IS APPROXIMATELY 4000 LBS WHICH IS EVENLY DISTRIBUTED UNDER THESE OUTER WALL PANELS.

STANDARD OPERATING FEATURES:

- * 1 MICRO PROCESSOR CONTROL UNIT.
- * 2 PERIMETER DRIVE UNIT ASSEMBLIES
- * 2 PERIMETER DRIVE ELECTRO MAGNETIC BRAKE UNITS
- * 2 HANDICAPPED- PUSH TO SLOW- PUSH PLATES.
- * 8 PROGRAMMABLE OPERATION MODES
- * 4 ACTIVATION MOTION SENSORS
- * 2 EMERGENCY STOP PUSHBUTTONS
- * 2 EMERGENCY ESCAPE PUSH BUTTONS
- * 1 SURFACE MOUNTED DIGITAL PROGRAMMING DEVICE PCD
- * 1 DIAGNOSTIC DIGITAL DISPLAY UNIT
- * 1 WHITE LAMINATED CEILING SYSTEM
- * 14 RECESSED LOW VOLTAGE LED CEILING LIGHTS
- * 2 ROTATING DISPLAY CASES
- * 1 PROGRAMMABLE REAL TIME OPERATING CLOCK SYSTEM
- * 1 PROGRAMMABLE DOOR OPERATION ACCESS CODES
- * 1 MASTER KEY SHUT OFF SWITCH FOR LOCK OUT USE
- * 1 RS-232 COMPUTER ACCESS PORT FOR REMOTE OPERATION AND TROUBLESHOOTING.
- * 1 600 EVENT MEMORY STORAGE SYSTEM. SHOWS LAST 600 EVENTS OF OPERATION
- * 1 LOCKING OF THE DOOR BY MAGNETIC BRAKE SYSTEM

STANDARD SAFETY DEVICES

- * FIRE ALARM INTERFACE CIRCUIT - REQUIRES NORMALLY CLOSED DRY CONTACTS
- * UPS BATTERY SYSTEM THAT CYCLES THE DOOR TO THE EMERGENCY EGRESS POSITION DURING POWER FAILURE.

* VERTICAL SAFETY DEVICES

- 2EA. NO-TOUCH PDR SENSORSON THE LEADING EDGE OF EACH ROTATING WING
- 2EA. PDR SENSORS MOUNTED IN THE FIXED CEILING RING AT RIGHT SIDE OF DOOR OPENING
- 2EA. COMPRESSIBLE SAFETY SWITCHES ON THE OUTER EDGE OF THE ROTATING WINGS
- 1EA. FIRE ALARM INTERFACE REQUIRES NORMALLY CLOSED DRY CONTACTS

* HORIZONTAL SAFETY DEVICES

- 2EA. WING SENSORS, SLOW AND/OR STOP SAFETY FIELDS
- 4EA. COMPRESSIBLE SAFETY SWITCHES ON THE BOTTOM EDGES OF THE WING DOORS
- SELF MONITORING OF SAFETY SYSTEM EVERY 3 MINUTES BY THE MICROPROCESSOR CONTROL MPU
- SAFETY SENSOR MONITORING EVERY 1/2 ROTATION

* POWER REQUIREMENTS

220 VAC 20 AMP 60 HZ DEDICATED CIRCUIT

* GLAZING

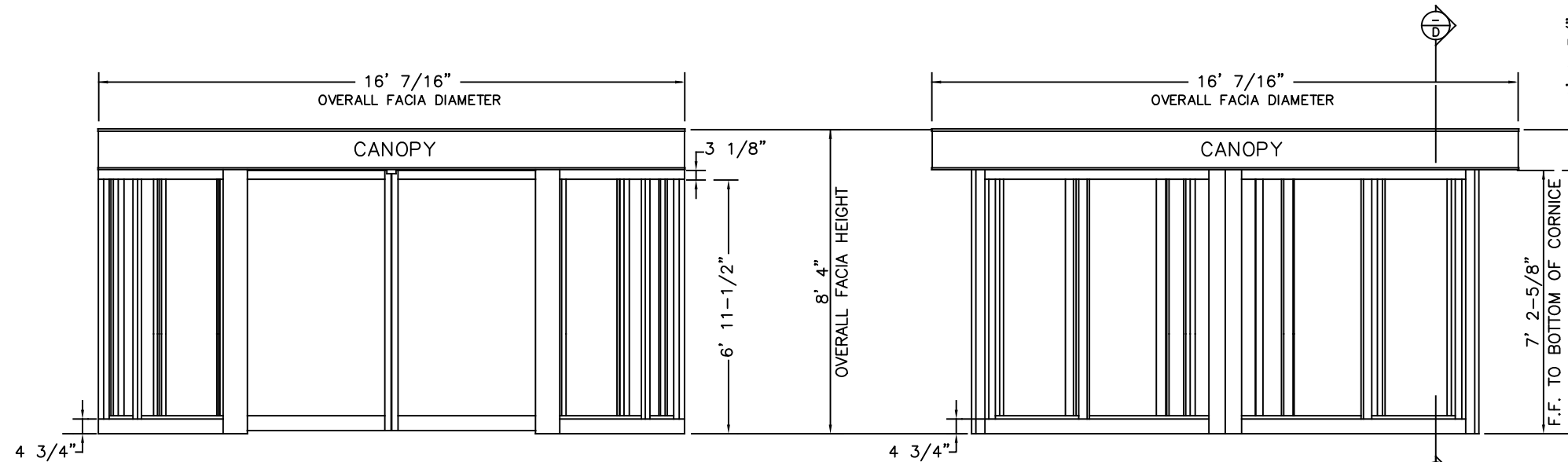
- 7/16" CLEAR CURVED SAFETY LAMINATED FOR FIXED OUTSIDE WALLS.
- 7/16" CLEAR CURVED SAFETY LAMINATED FOR INTERIOR ROTATING WALLS.
- 1/4" CLEAR FLAT SAFETY LAMINATED FOR INTERIOR FLAT DOOR PANELS.

* MATERIALS

- ALL ALUMINUM PROFILES TO BE .125" THICK (NOMINAL THICKNESS).
- ALUMINUM EXTRUSION SYSTEM USED THROUGHOUT
- ALL CURVED SECTIONS ARE STRETCH FORMED

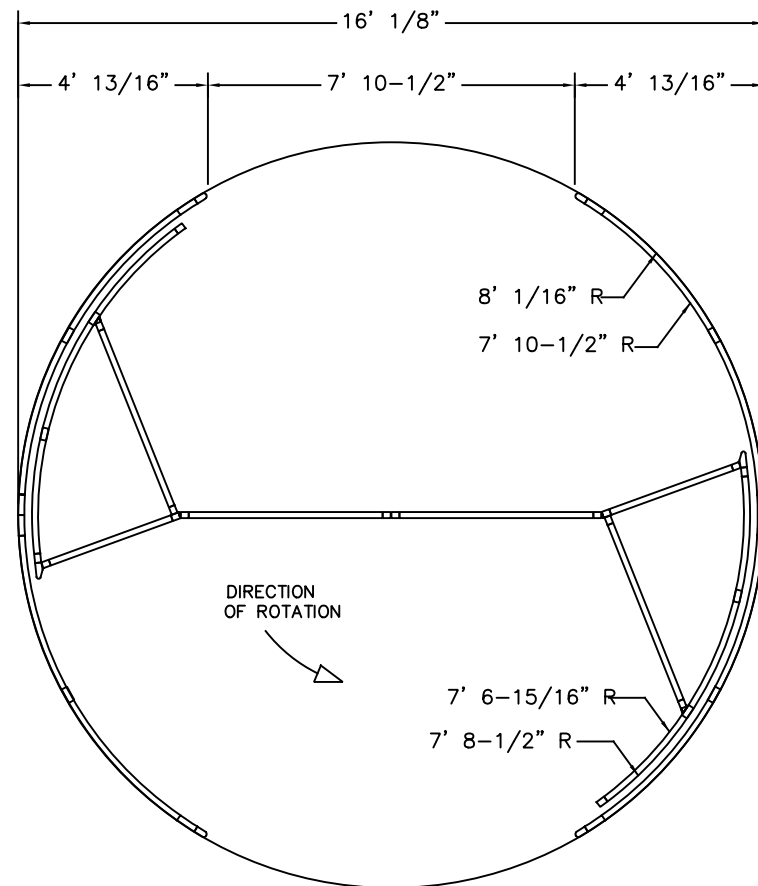
* FINISHES (AS SPECIFIED)

- ___ CLEAR ANODIZED.
- ___ DARK BRONZE ANODIZED.
- ___ RAL POWDERCOAT PAINT.
- ___ POLISHED STAINLESS STEEL CLAD
- ___ #8 MIRROR
- ___ #4 SATIN
- ___ KYNAR PAINT # _____
- ___ OTHER _____

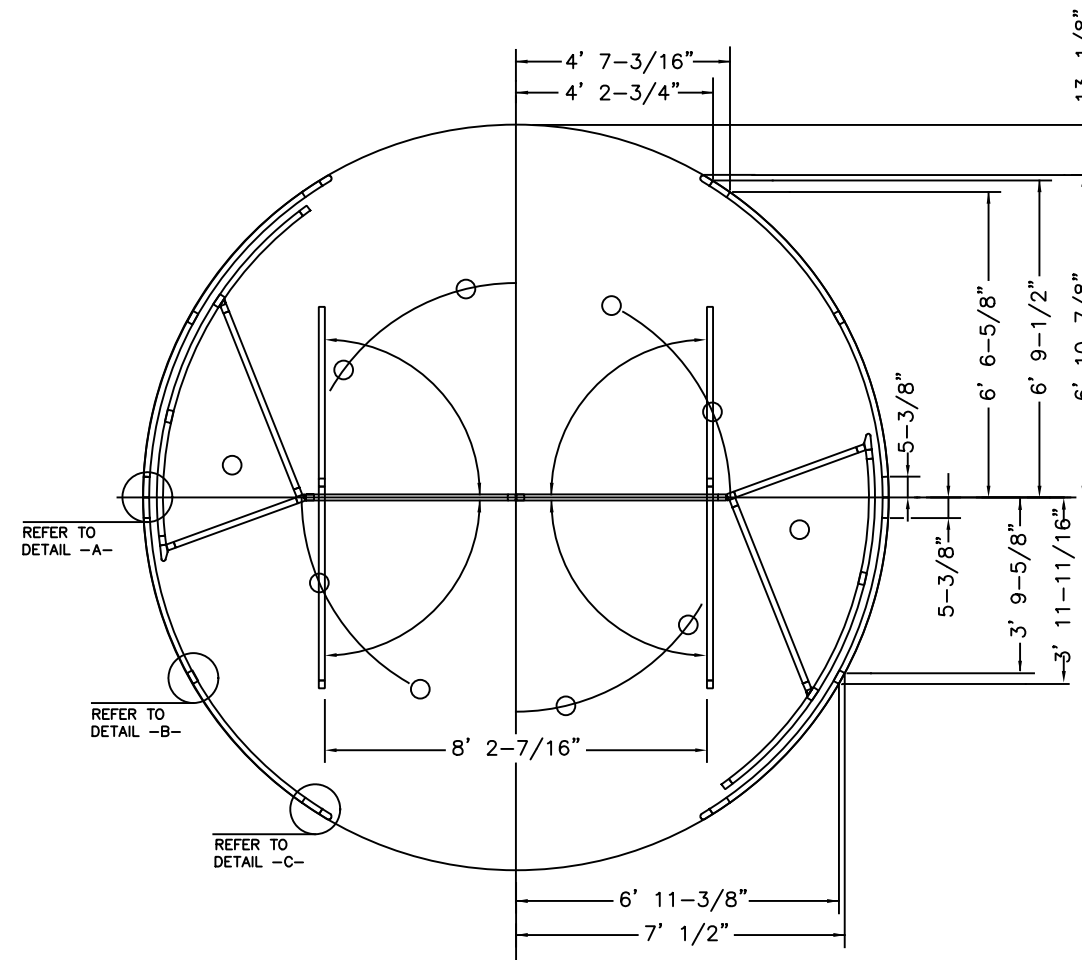


FRONT ELEVATION
SCALE: 1/2"=1'-0"

SIDE ELEVATION
SCALE: 1/2"=1'-0"



PLAN VIEW
SCALE: 1/2"=1'-0"



ESCAPE POSITION
SCALE: 1/2"=1'-0"

DWG NO.	1018285 - UNITURN-16 PLAN	SHEET	1	OF	2
DRN BY	DDD	DATE	10/31/08	CHK BY	DATE
				REV.	3.0
				DATE	5/4/21

ASSA ABLOY UNITURN - 2 - 16'
2 WING
REVOLVING DOOR SYSTEM
PLAN VIEW