

# Technical Data Sheet

## ASSA ABLOY FT100 Full Height Turnstile

**ASSA ABLOY**  
Entrance Systems

Experience a safer  
and more open world

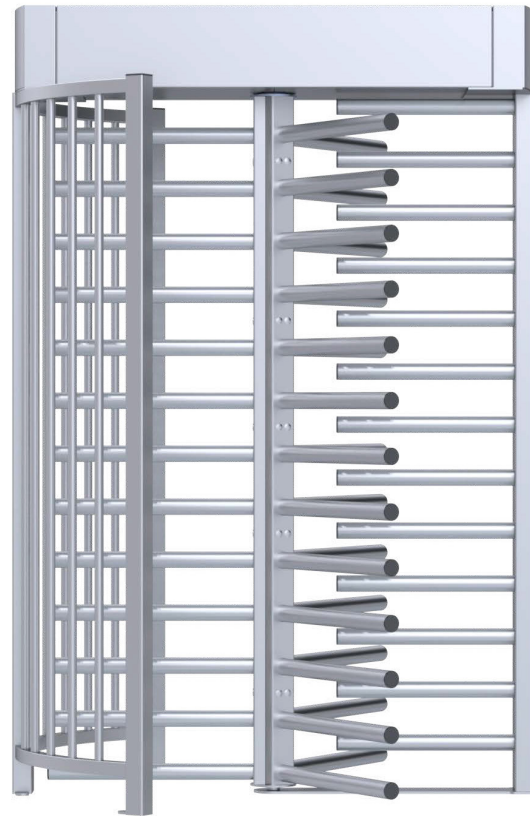
Extremely robust and water-resistant, 3 section full height turnstiles in stainless steel; hot-dipped galvanized or galvanized plus powder coated finish. Bi-directional, logic controlled. Hand operated and motor driven with electro-magnetic lock options available.

### Features

- Portal and housing made of steel
- Portal turnstile, four-part rotor blade with spars, 90° division
- As standard with 13 rod-shaped crossbars with plastic caps on each section of the rotor. Arm diameter 51mm.
- Rotor with 13 rod-shaped bars made of steel
- Limitation of passage: with steel filler rods
- Unidirectional or bidirectional operation
- Completely assembled or disassembled delivery as a kit for easier transport or for places that are difficult to access.
- Lockable maintenance lid with top and side opening for easy maintenance and installation in areas with low ceilings.
- In addition to the turnstile: Motorized or manually operated pedestrian door in full height (bi-directional)

### Drive Mechanism Options

- Electromechanic / Hand operated
- BLDC Motor-driven
- A self centering mechanism to ensure complete rotation of the mechanism to the next position.
- A hydraulic damper to ensure smooth operation
- Anti backup device to prevent reverse rotation once the mechanism has moved 30 degrees from the home position
- Fail-safe operation as Fail Locked in / Fail Safe Out. (Optional fail-locked)

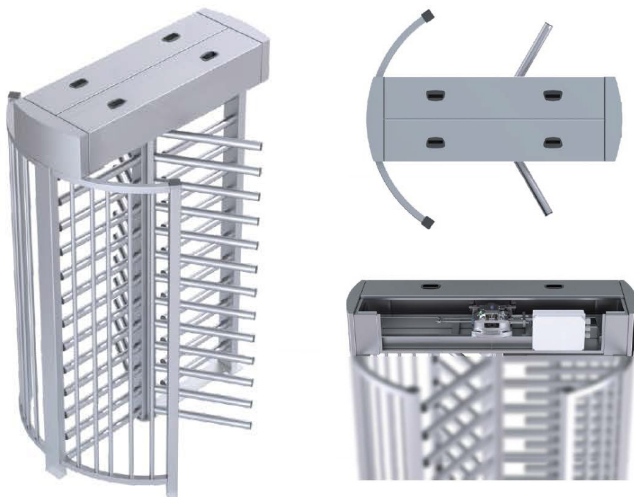
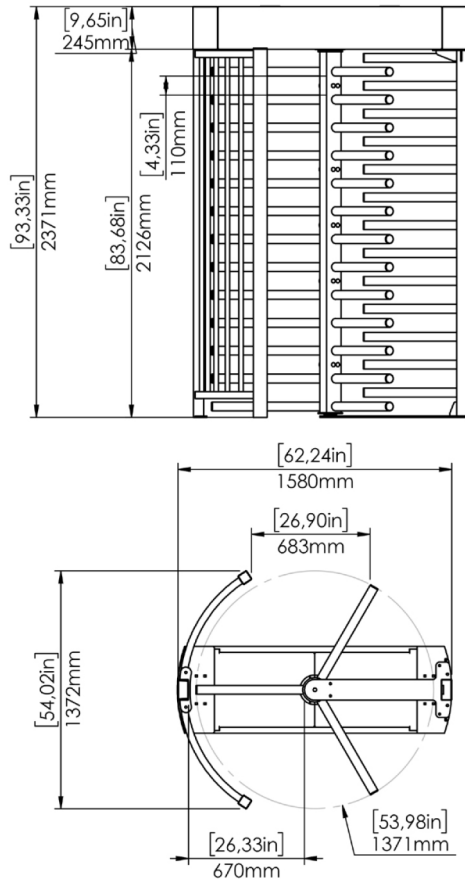


### Functions and Interface

- Logic controlled interface, bi-directional operation
- Entrance and exit directions can be individually set as controlled, locked or free before or after the installation.
- In controlled access mode, after release confirmation which was sent by access control system, the turnstile unlocks the released direction and enables one person access in the direction of travel. After each person, the turnstile rotor blocks passage again and does not permit access from both entrance and exit directions until receiving a new release signal from the access control system.
- After the release, the turnstile blocks itself after an adjusted time if no transition or passage occurs.
- If people from both directions would like to pass through simultaneously, the first person who activates the turnstile takes precedence.
- Multiple opening: An additional person is able to release the next passage cycle during an ongoing passage cycle in both directions. The turnstile controller stores up to 255 releases and lets corresponding number of individuals pass through.
- Relay outputs for counting passage in either direction
- RS 232 serial port
- Control for inputs and outputs via potential-free contact

## Standard Technical Characteristics

Rotor	3 sectional (120°) and 13 horizontal arms in 2" (51 mm) diameter in each section
Complete Height	2371 mm / 93.33" (Standard)
Complete Width	1580 mm / 62.24"
Passage Height	2126 mm / 83.68"
Passage Width	670 mm / 26.33"
Entrance Width	683 mm / 26.9"



## LED Indicators

LED lights indicate the operating status of the turnstile in both directions.

	Option 1	Option 2
Green	Standby or locked	Released or free passage
Red	Released or free passage	Standby or locked

## Settings

Operation mode for each directions	Controlled / Free / Locked
Acoustic notifications	On / Off
Release time out	5-10-15-20 secs
Consecutive passage	On / Off
Emergency connection	On / Off
LED indicator options	Option-1 / Option-2

## Specifications

Construction	Steel
Passage width	670mm / 26.37" 630mm / 24.8" 600mm / 23.62"
Power Supply	100 - 240 VAC, 50 / 60 Hz
Logic Voltage	24V DC
Standby power consumption	12 W
Operation Temperature	-10° / +70°
IP Protection	Cabinet IP54 / Logic controller IP65

## Material Options

- Galvanized
- Galvanized + powder coated
- AISI 304 Stainless steel
- AISI 316 Stainless steel
- Stainless steel rotor & powder coated frame

## Accessories

- Access controller mounting plate
- Access controller Box
- Ceiling lights
- LED indicators
- Heating kit for -40 degrees
- Roof & canopy
- Tempered glass side panels
- Mounting plate (suitable for forklift transport)
- Mounting frame for pre-installation into concrete
- Back-up battery 7A
- Access controller integration options

(Please contact with sales representative for full list of options and accessories)

## Emergency & Power Cut

In the event of emergency or power-cut the mechanism unlocks the rotor and the rotor rotates freely in both directions. The turnstile reset itself automatically when the emergency alarm stops or the power is switched back on.

With a constant view to adopting the latest technological developments, we reserve the right to amend the above information at any time.